



Techinar 14.02.2018

Promoting and maintaining shared Content with FirstSpirit CaaS

# ContentManifold



Peter Zeidler | Senior Consultant  
Stefan Häming | Project Manager

# motivation and requirements

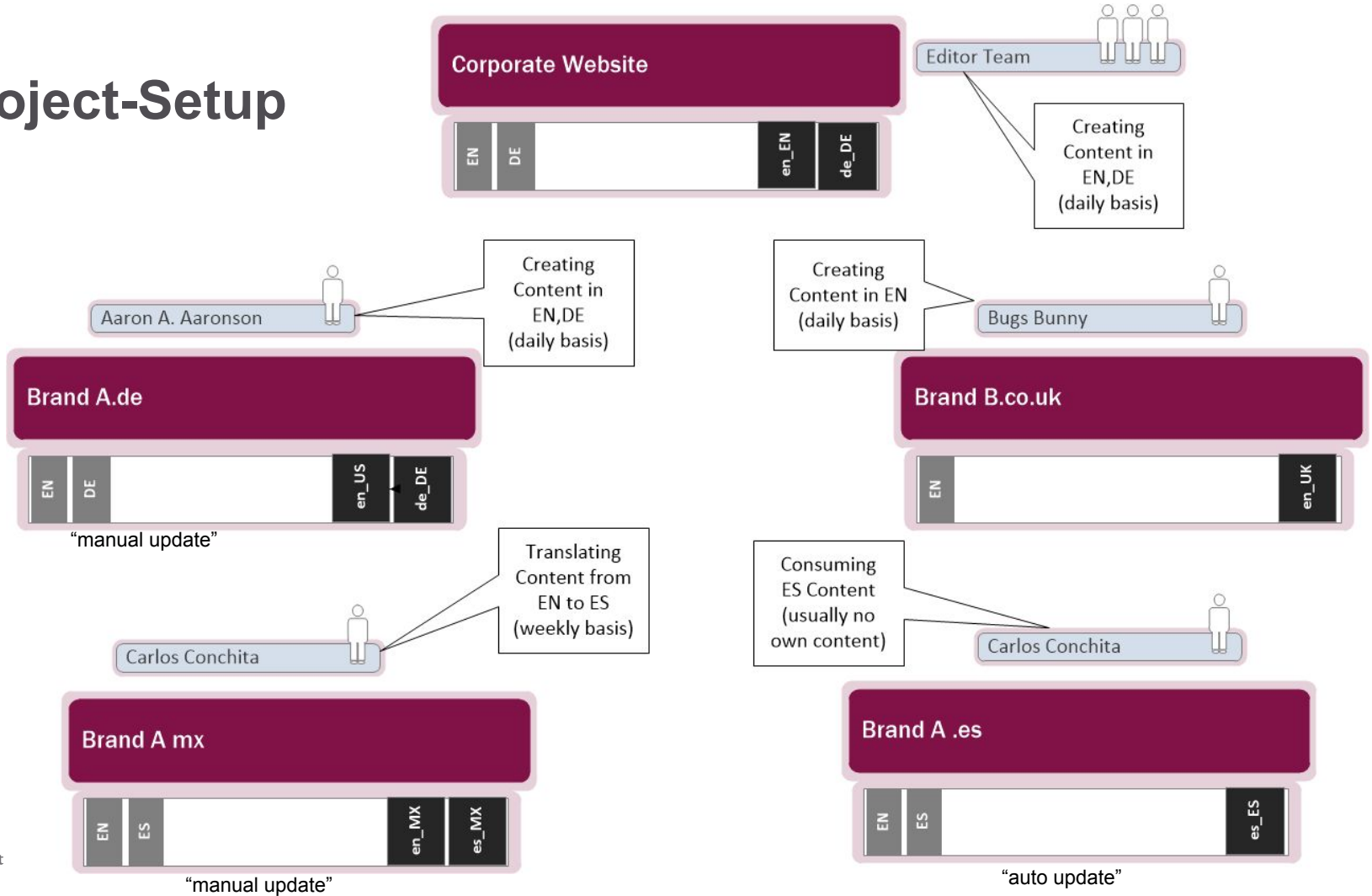


# motivation and requirements

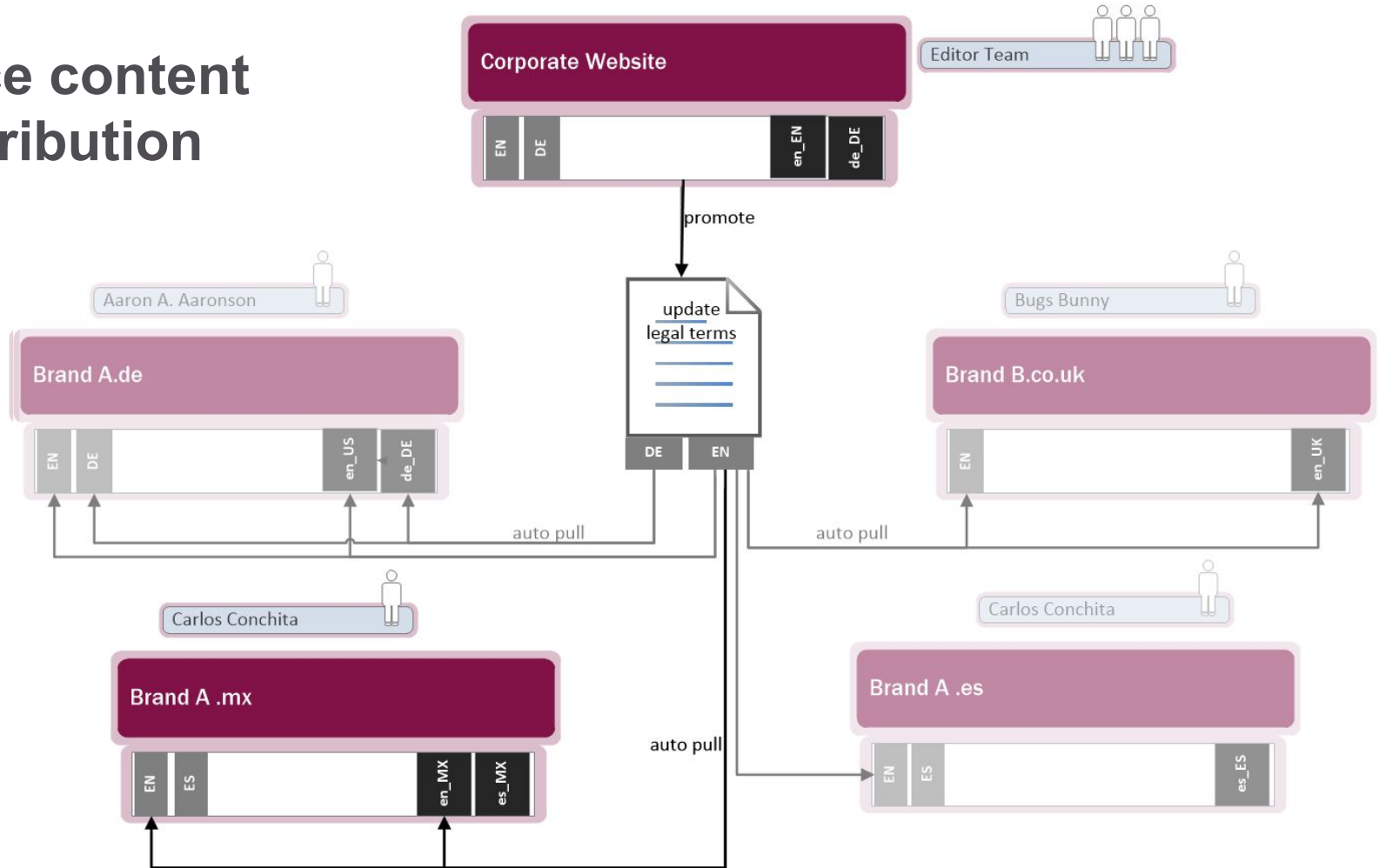
- ❑ plug and play (no templating required)
- ❑ easy to use for editors
- ❑ all clients supported
- ❑ support of multi language
- ❑ support of projects with equal rights
- ❑ flexible for all different scenarios



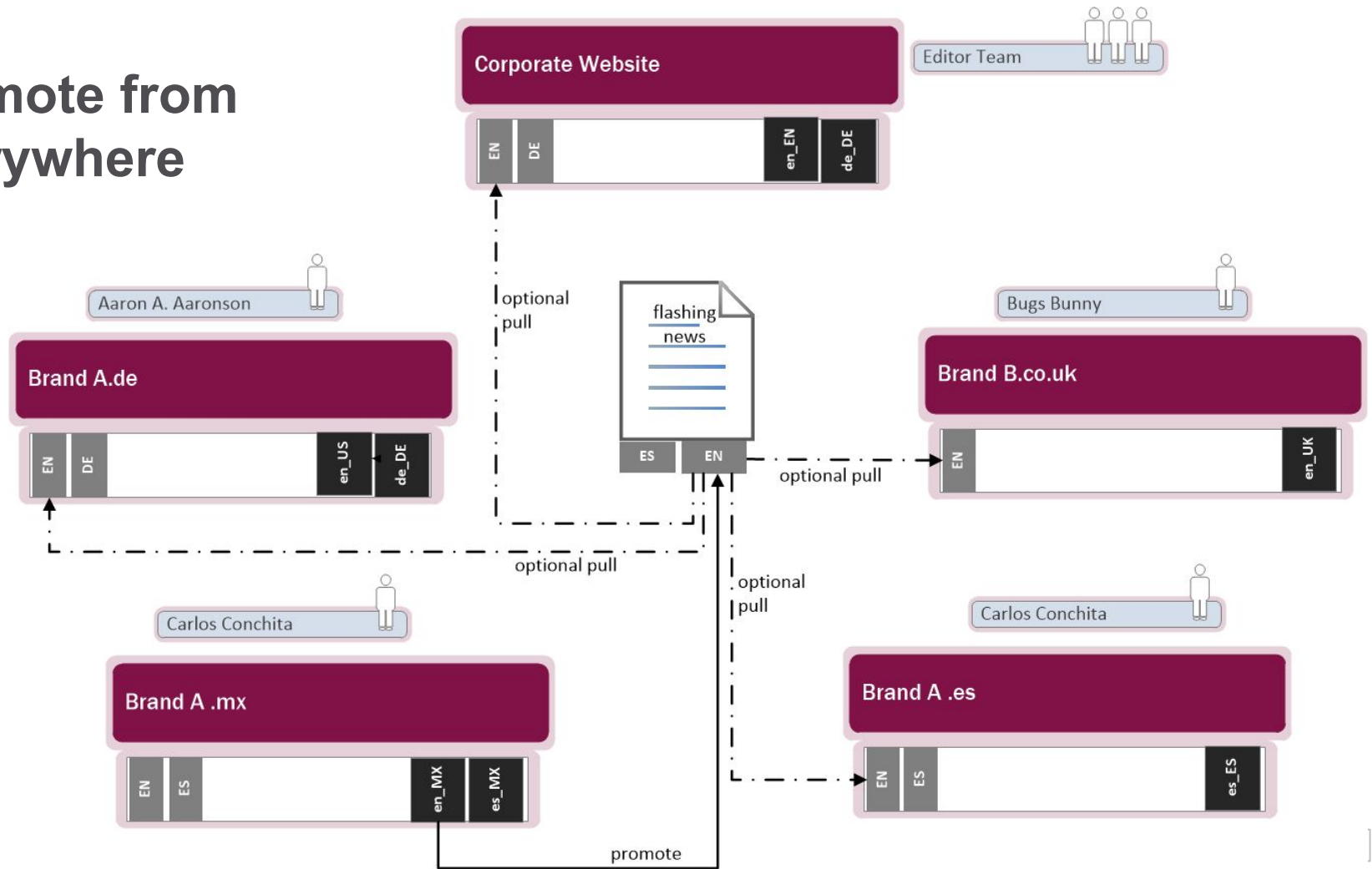
# Project-Setup



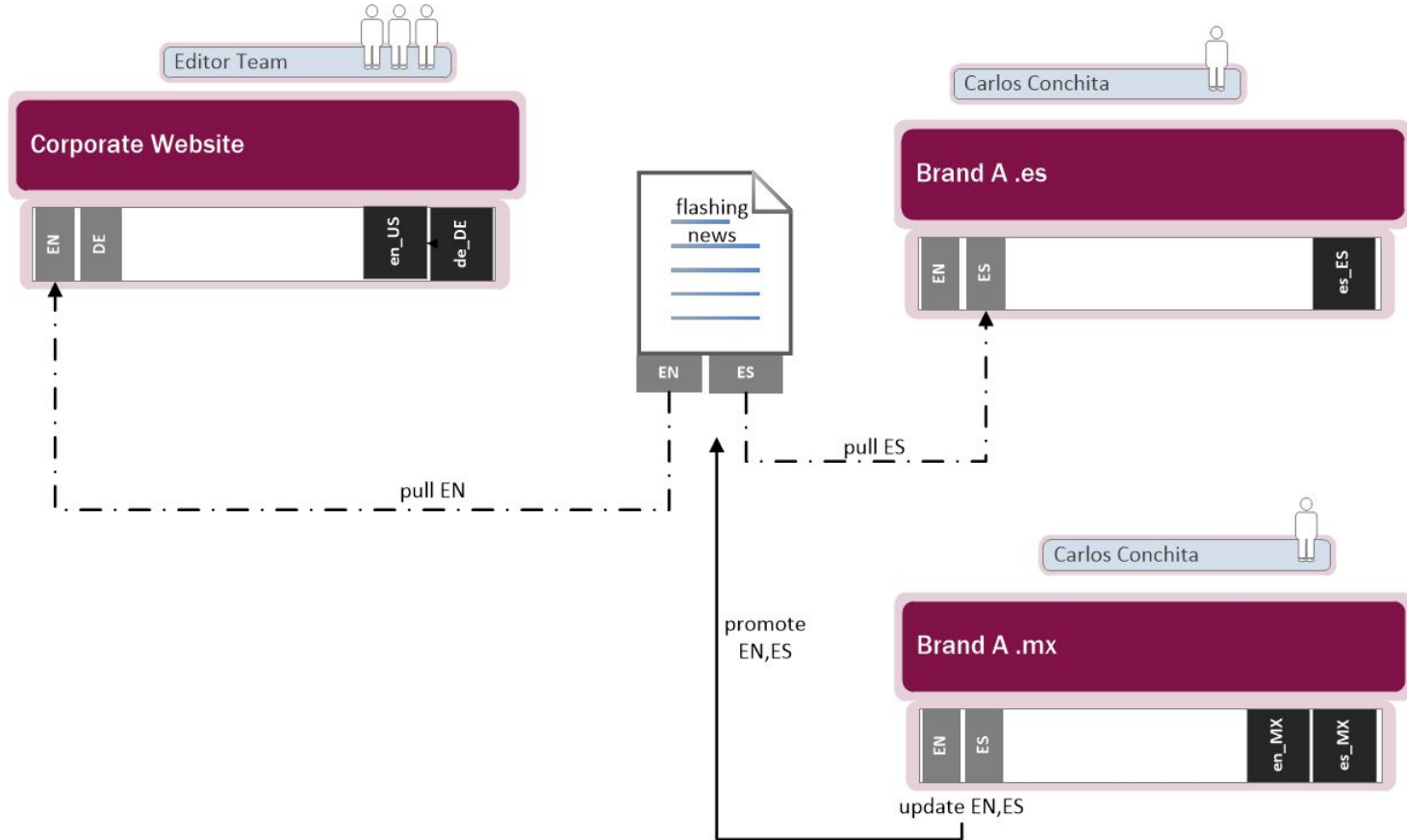
# force content distribution



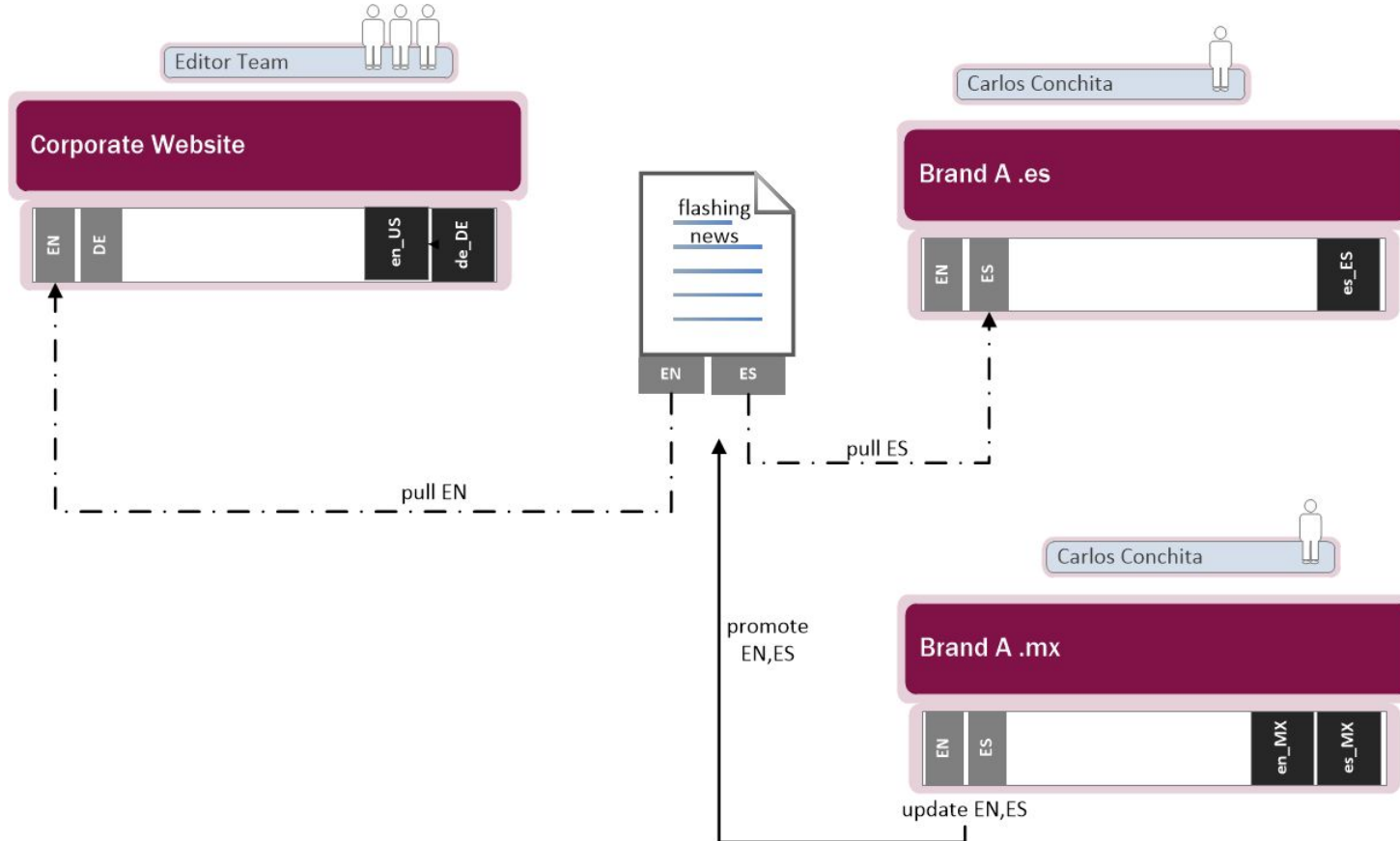
# promote from everywhere



# update translations anywhere



# automatic pull on datasource

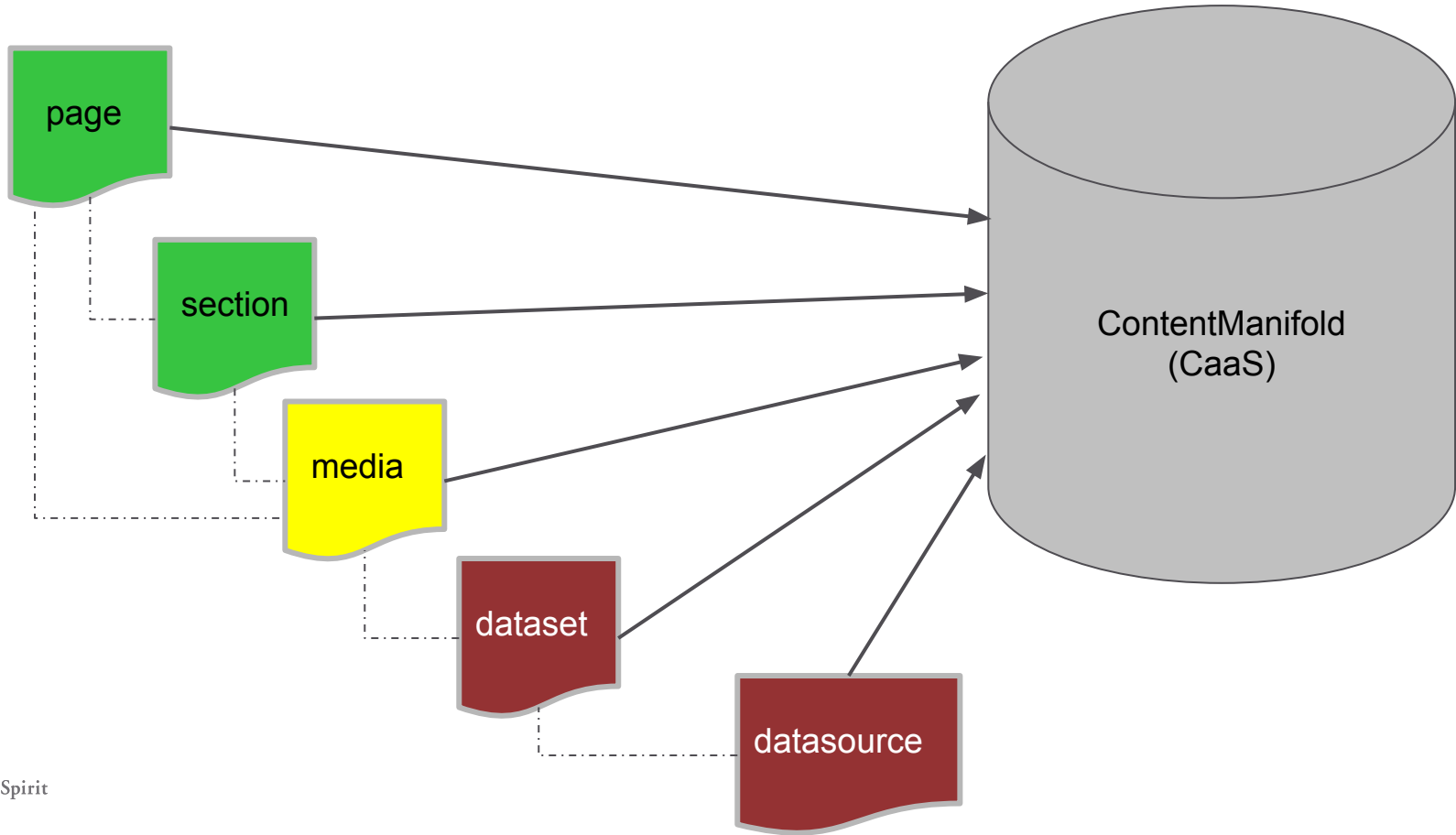




# live demo

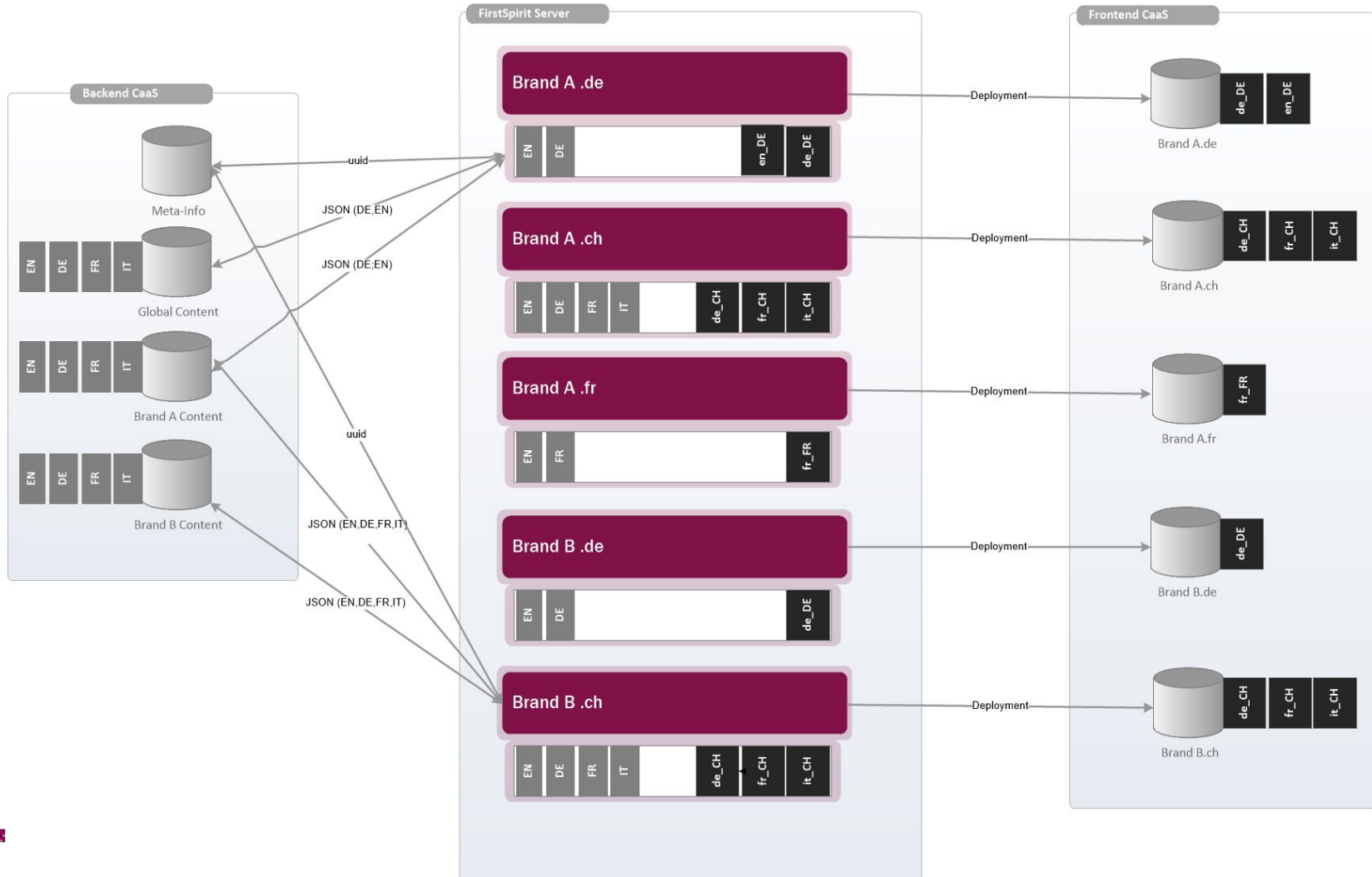


# all relevant object types



# architecture







### Backend CaaS



Abo-Info



Hash-Info



Configuration



pages



sections



media



datasets

### FirstSpirit Server

Project

Project Settings (Languages)

ContentManifold.fsm

Project-Component

Caas Api-Key, CaaS URL, Project-Rights,..



# code samples



# code sample

```
{
  "_id": "8abb876e-bf63-44bd-ba70-3cecf2732e7d_MithrasEnergy_DE",
  "contentId": "8abb876e-bf63-44bd-ba70-3cecf2732e7d_MithrasEnergy",
  "contentLanguage": {
    "displayName": "Deutsch",
    "abbreviation": "DE",
    "type": "com.espirit.ps.tkonenet.contentmanifold.caas.model.content.Language"
  },
  "refName": "press_releases__teaser_",
  "languageInfos": {
    "DE": "Pressemitteilungen (Teaser)",
    "EN": "Press releases (Teaser)"
  },
  "snippet": {
    "header": "press_releases__teaser_",
    "extract": "mithras_home/Content left"
  },
  "template": {
    "uid": "pressreleasesteaser",
    "uidType": "TEMPLATESTORE",
    "languageInfo": {
      "DE": "Pressemitteilungen-Teaser",
      "EN": "Press releases teaser"
    },
    "type": "com.espirit.ps.tkonenet.contentmanifold.caas.model.content.Template"
  },
  "inOutputIncluded": true,
  "type": "com.espirit.ps.tkonenet.contentmanifold.caas.model.content.Section",
  "formFields": [
    {
      "name": "st_headline",
      "type": "CMS_INPUT_TEXT",
      "value": "News",
      "useLanguages": true
    },
    {
      "name": "st_teaser_colour",
      "type": "CMS_INPUT_TOGGLE",
      "value": true,
      "useLanguages": true
    },
    {
      "name": "st_teaser_text",
      "type": "CMS_INPUT_TOGGLE",
      "value": false,

```



# prerequisites





# prerequisites

- ❑ all templates have to be identical (at least forms)
- ❑ no “empty-field” in database - use form rules
- ❑ shared datasource has to have at least one table-template with all fields

# Thank you!



United States | Germany | United Kingdom | Austria | Switzerland

